

## TWO-WAY BIOMETRIC VIDEO TERMINAL

# VK-VISION

### MAIN TECHNICAL SPECIFICATIONS

- 1. Network video camera** (on each side):
  - a. 5 megapixels;
  - b. MJPEG codec, RTSP / UDP transport protocol;
  - c. Freely defined region of interest of the image;
- 2. Welcome screen** (on each side):
  - a. 5.5-inch HD color screen (1080 x 1920) with wide viewing angle;
  - b. DXT1 Compression Support for Welcome Screens;
  - c. HTTP / 1.1 PUT protocol for loading the welcome screen;
  - d. Load screen to long-term memory in standby mode;
- 3. Network interface** (LAN)
  - a. Ethernet 100Base-TX (Ethernet, 100 Mbps)
- 4. Integration with access control systems:**
  - a. Wiegand output compatible with logic levels 3 and 5 V and codes up to 192 bits;
  - b. Possibility of parallel connection to a loop between an existing reader and an ACS controller;
  - c. HTTP GET protocol for controlling the output of Wiegand code;
- 5. Relay** (normally open)
  - a. Programmable opening time;
  - b. HTTP GET protocol for controlling relays and programmable outputs;
- 6. Dimensions and power supply**
  - a. Dimensions: 214x221x75 mm;
  - b. Weight: 1.2 kg;
  - c. Power supply: IEEE802.3af POE mode "A", power consumption 10 W.

### GENERAL INFORMATION

Unique two-way biometric video terminal for face recognition systems with welcome screen function. Compatible with any biometric face recognition system. The video terminal has all the necessary built-in protocols for integration with access control systems. Designed for installation on a turnstile.

### FEATURES:

## 01

Network video camera of high resolution

## 02

Free programmable welcome images / messages on displays

## 03

Integration with ACS via Wiegand interface

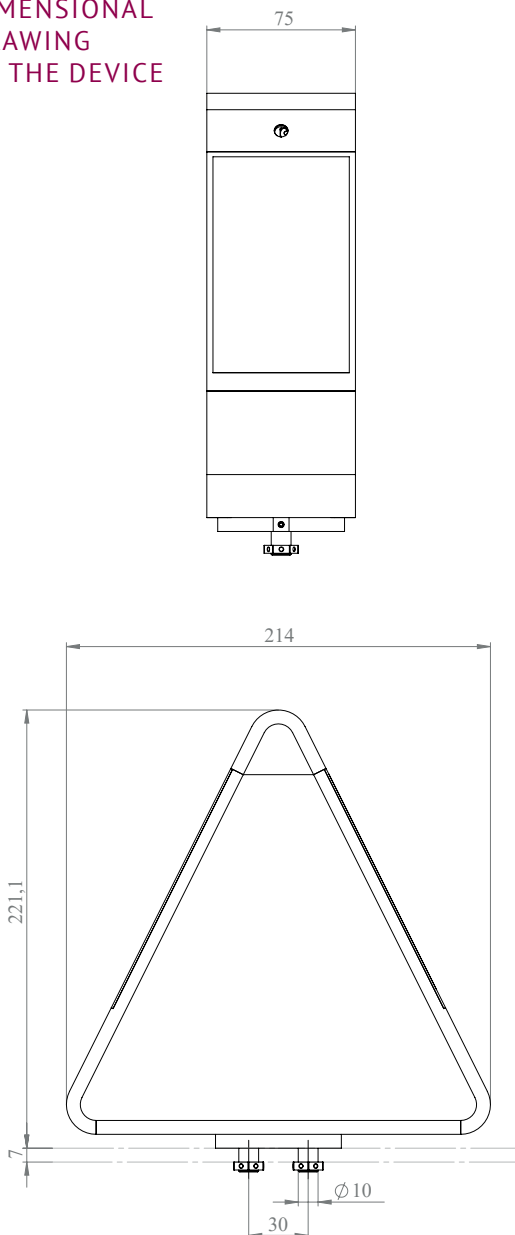
## 04

Integration with ACS controllers via built-in relay and programmable inputs / outputs

## DEVICE VIEW



## DIMENSIONAL DRAWING OF THE DEVICE



# VIEW

## and Dimensional Drawings

- **Lens**
  - a. Fixed lens, focal length  $f = 3.43$  mm, F2.8;
  - b. Angle of view:  $41^\circ / 53^\circ$  (horizontal / vertical)
- **Light-sensitive sensor**
  - a. 5 megapixels, physical resolution 2592x1944;
  - b. Pixel size:  $1.4 \mu\text{m} \times 1.4 \mu\text{m}$ ;
  - c. Format: 1/4", aspect ratio 4:3;
- **Resolution and maximum number of frames per second \***
  - a. 1080p: 1920x1080 up to 12.5 frames per second;
  - b. 720p: 1280x720 up to 25 (до 50\*\*) frames per second;
  - c. 480p: 640x480 up to 25 (до 100\*\*) frames per second;
- **Codec**
  - a. MJPEG 4:2:0;
  - b. MJPEG black and white \*\*;
- **Bit rate: up to 25 Mbps** (the ability to set a maximum stream limit of 5/10/25 Mbps);
- **Supported video transmission protocols: RTSP/ MJPEG/UDP;**
- **Gain / exposure**
  - a. Auto gain and exposure control (with setting the maximum allowable exposure value for blur-free images);
  - b. Manual gain and exposure control \*\*;
- **Turn on / off the «white balance / brightness normalization» function;**
- **Customizable color saturation correction.**

[www.hitsec.ru](http://www.hitsec.ru)  
**+7 495 789 89 50**  
[office@hitsec.ru](mailto:office@hitsec.ru)

\* the number of frames per second will depend on the video stream rate limiting settings;

\*\* available upon request and upon additional API agreement.