

Panasonic®

Operating Instructions

Included Installation Instructions

Dome Cover

Model No. **WV-CF5SA**

Before attempting to connect or install this product, please read these instructions carefully and save this manual for future use.

The model number is abbreviated in some descriptions in this manual.

Precautions

Refer installation work to the dealer.

Installation work requires technique and experience. Failure to observe this may cause fire, electric shock, injury, or damage to the product.

Be sure to consult the dealer.

Mounting procedures

Note:

- When a smoke type dome cover is used, the IR LED irradiation distance and the illuminance level for switching between color and monochrome are lower than for a standard clear type dome cover. Check the settings after attaching the enclosure.

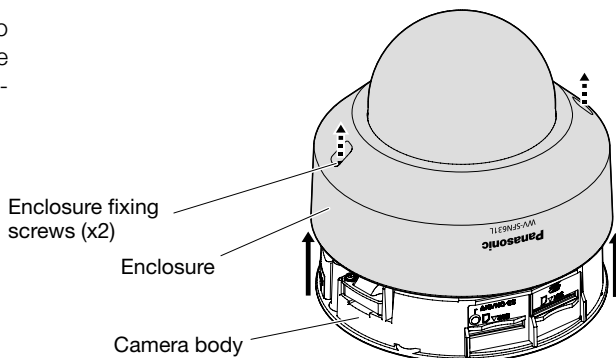
■ Attach to WV-SFN631L/WV-SFN611L

Read the following descriptions together with the Installation Guide of the camera. The WV-SFN631L is used as an example in these descriptions.

Step1

Remove the enclosure from camera

Use the bit included with the camera to loosen the 2 screws that secure the enclosure, and then remove the enclosure from the camera body.



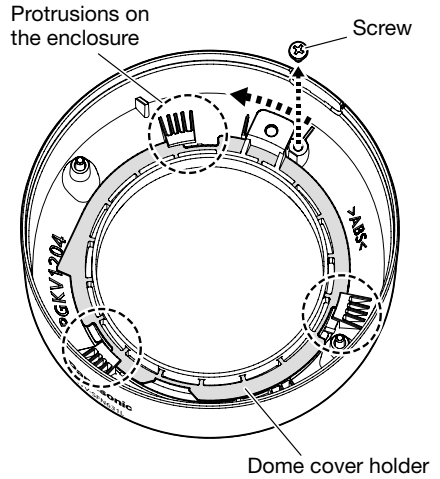
Step2

Remove the dome cover

Remove the screw that secures the dome cover holder and the enclosure. Rotate the dome cover holder counterclockwise until the dome cover holder can be removed.

You can remove the dome cover holder, light-blocking sheet, and dome cover (in this order) once the 3 protrusions on the enclosure are lined up with the notched areas of the dome cover holder. (Do not remove the case ring.)

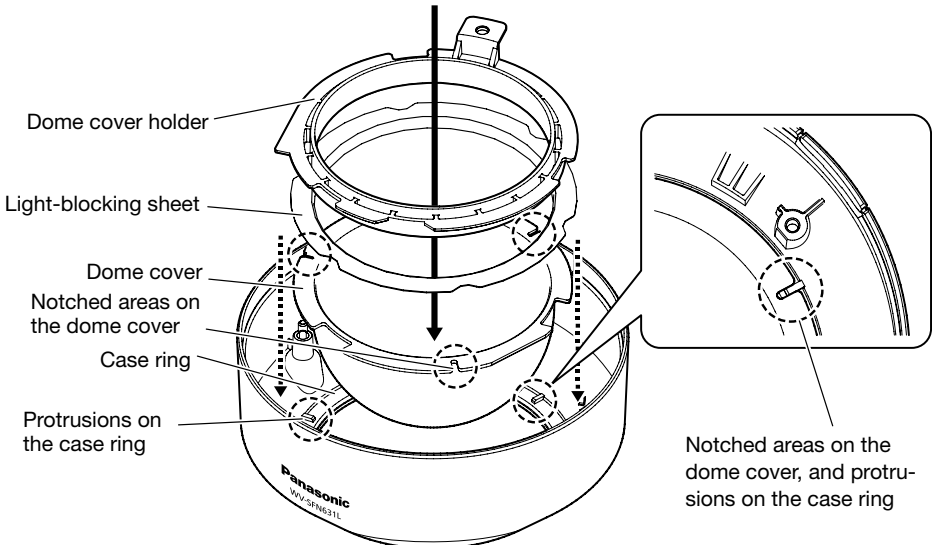
The screw, dome cover holder, and light-blocking sheet will be used again in step 3.



Step3

Replace the dome cover

- ① Remove the cover film from the outside of the dome cover (WV-CF5SA). Keep the removed cover film for future use. (Take care not to damage the outside or inside of the dome cover.)
- ② Attach the dome cover (WV-CF5SA) to the enclosure. When attaching, align the 3 notched areas on the dome cover with the 3 protrusions on the case ring.
- ③ Attach the light-blocking sheet and dome cover holder removed in step 2 to the dome cover from the top, and then rotate the dome cover holder clockwise and secure it using the screw from step 2. (The recommended tightening torque: 0.39 N·m {0.29 lbf·ft})
- ④ Attach the cover film removed in ① to the surface of the dome cover.



Step4

Attach the enclosure to the camera

Secure the camera to the enclosure with the 2 enclosure fixing screws.

(The recommended tightening torque of the enclosure fixing screws is 0.59 N·m {0.44 lbf·ft})

⇒ Refer to the Installation Guide for more information about installing the camera.

IMPORTANT:

- When the enclosure is attached, the camera's focus may go out of focus. Use the "Auto focus" function in the setup menu to adjust the focus.
- Remove the cover film after installation is complete.
- If there are fingerprints or dirt on the dome cover, wipe it clean with a soft cloth.

■ Attach to WV-SF538/WV-SF539 and other models

Models that can use the WV-CF5S dome cover can also use the WV-CF5SA dome cover.

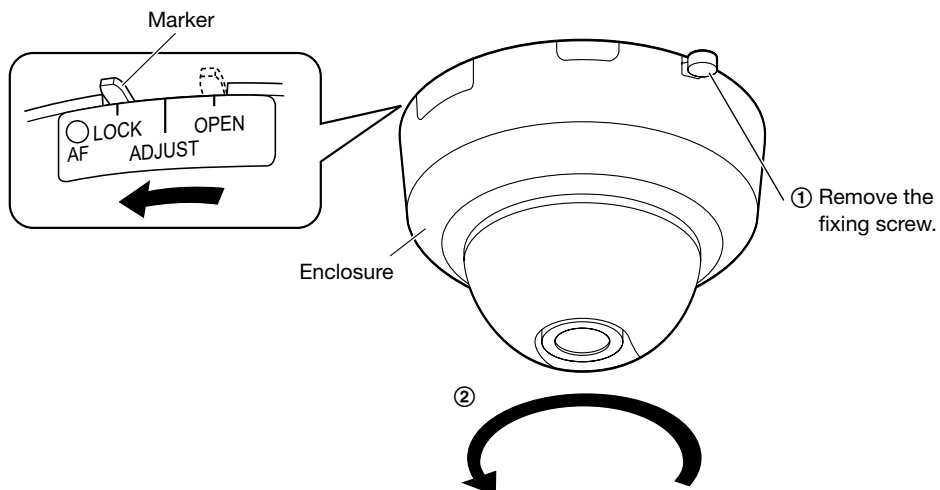
Read the following descriptions together with operating instructions of the camera.

Step1

Remove the enclosure from camera

① Remove the enclosure fixing screw (M3, step screw).

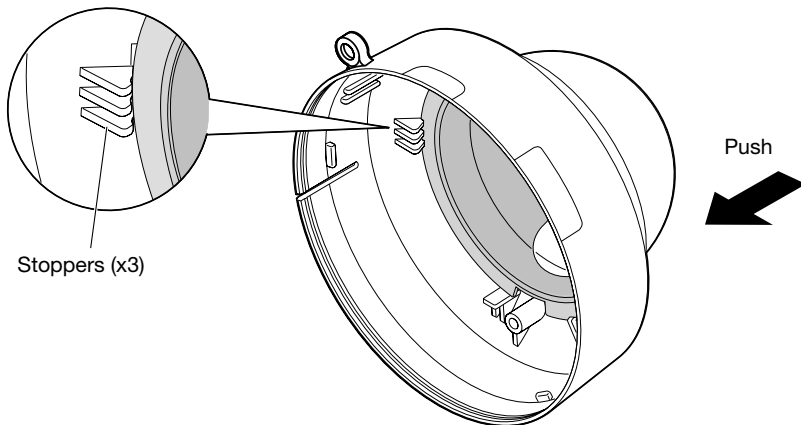
② Rotate the enclosure counterclockwise twice, align the marker with "OPEN", and then remove the enclosure.



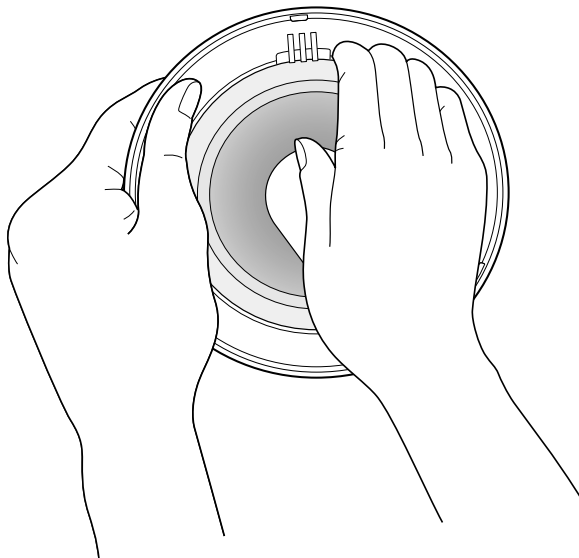
Step2

Remove the clear dome cover

- ① Remove the inner dome cover and clear dome cover from enclosure's stoppers. The inner dome cover and clear dome cover can be removed by releasing the stoppers and then pushing the inner dome cover and clear dome cover into the enclosure.



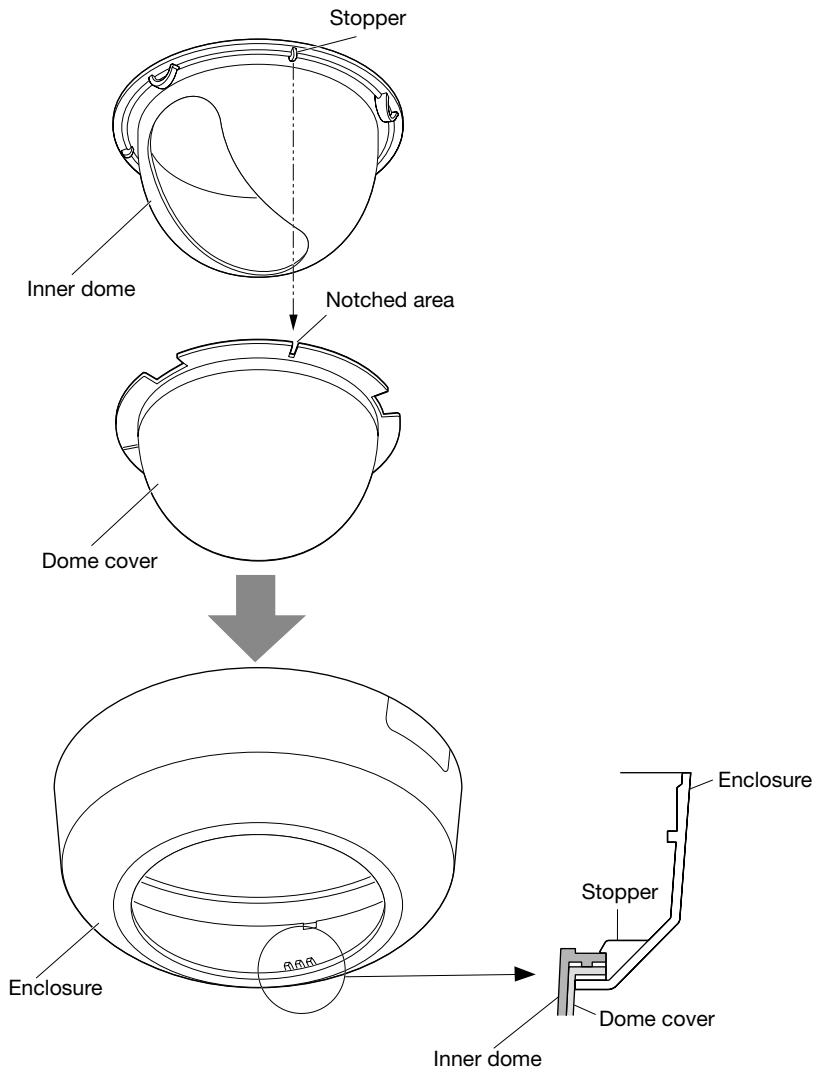
- ② Remove 1 stopper at a time while pushing down on the inner dome cover.



Step3

Attach the dome cover (WV-CF5SA)

- ① Align the inner dome cover's 3 stoppers with notched areas of the dome cover.
- ② Insert the dome cover and inner dome cover into the enclosure and make sure that they are stuck in with the stoppers on the enclosure.
- ③ Rotate the dome cover and check that the dome cover and inner dome cover rotate smoothly together.



Step4

Attach the enclosure to the camera

Attach the enclosure to the main body of the camera.
Refer to the operating instructions of each model for information.

Specifications

Ambient operating temperature: -10 °C to +50 °C {14 °F to 122 °F}
Mass: Approx. 25.0 g {0.06 lbs}
Dimensions: Diameter: 92 mm {3-5/8 inches}
Height : 49.3 mm {1-15/16 inches}
Diameter of the dome: 40.1 mm {1-9/16 inches}

Standard Accessories

Operating Instructions 1 set

For U.S. and Canada:

**Panasonic System Communications
Company of North America,
Unit of Panasonic Corporation
of North America**

www.panasonic.com/business/
For customer support, call 1.800.528.6747
Two Riverfront Plaza, Newark, NJ 07102-5490

Panasonic Canada Inc.

5770 Ambler Drive, Mississauga,
Ontario, L4W 2T3 Canada
(905)624-5010
www.panasonic.ca

For Europe and other countries:

Panasonic Corporation

<http://panasonic.net>

Importer's name and address to follow EU rules:

Panasonic Testing Centre
Panasonic Marketing Europe GmbH
Winsbergring 15, 22525 Hamburg, Germany