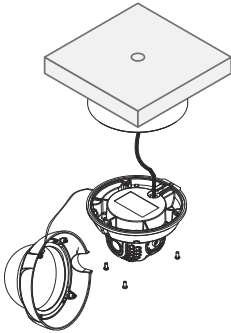


DA-JB2100 INSTALLATION MANUAL



This manual is intended for users of the DA-JB2100 wall mounting bracket. It includes instructions for mounting the DA-JB2100 wall mounting bracket to a wall.

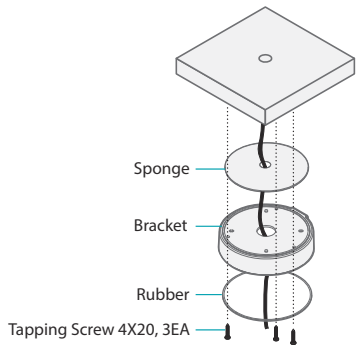


- **This bracket is intended to be used with DC-D2233 series model of camera. Do not use it with other models of cameras.**
- **This installation should be performed by a qualified service personnel in conformance to all local codes.**
- **You may need to reinforce the wall. If the wall is not strong enough to support the camera, the camera may fall.**
- **Do not use this product for other purposes.**

Mounting

Mount the bracket to the wall as follows:

- 1 Insert cables from external devices, network and power adapter to the sponge and bracket.
- 2 Mount the sponge to the wall and then bracket to the sponge by using the anchors and screws.
- 3 Attach the rubber onto bracket.

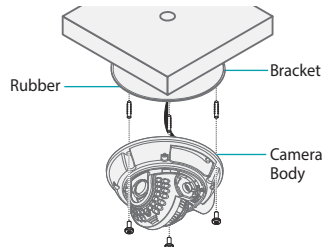


Connect your camera to the bracket as follows:

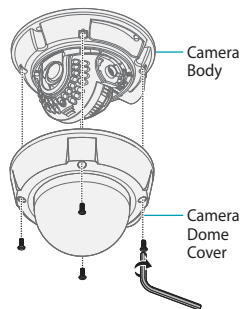
- 4 Screw the camera body onto bracket.



Make sure that the rubber is attached onto bracket.



- 5 Screw the camera dome cover onto the camera body.
- 6 Turn on power.



Dimensions

Unit: mm (inch)

